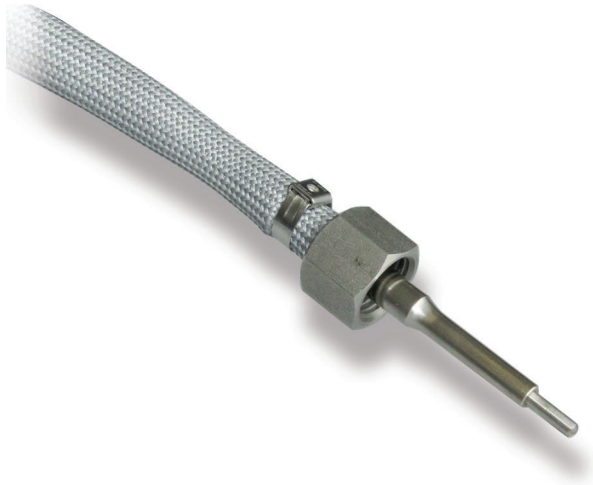


# Thermocouple Probe TCP KN 2

www.bosch-motorsport.com



**BOSCH**  
Invented for life



- ▶ Thermocouple Type K
- ▶ Thermo material: NiCr-Ni
- ▶ Measurement range: 0 to 1,250°C
- ▶ Analog output (0 to 5 V) or CAN

This sensor is designed to measure exhaust gas temperatures up to 1,250°C. Thermocouples are temperature sensors that supply a temperature corresponding voltage without any additional external energy source. The thermocouple has a metal mantle that includes two isolated wires made of thermo material NiCr-Ni Type K. The voltage is amplified by an electronic circuit powered by 12 V. Please note that the operating temperature of the external electronics is from 0 to 125°C. The sensing element is protected by a double-walled housing made of Nimonic 75 to enable its placement before turbo chargers. The benefits of this sensor are the combination of high quality production part, robust design and its integrated amplifier

## Application

Application	0 to 1,250°C
Operating temp. range (ext. electronics)	0 to 125°C

## Technical Specifications

### Mechanical Data

Male thread	M14x1.5
Wrench size	17 mm
Installation torque	15 Nm
Weight with wire	85 g

### Electrical Data

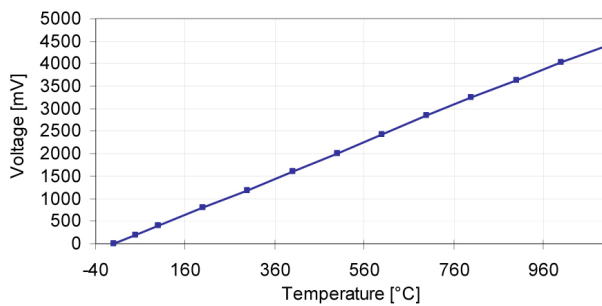
Voltage supply	12 V
----------------	------

### Analog Variant

Full scale output	0 to 5 V
-------------------	----------

T [°C]	U [mV]
0	0
50	197
100	399
200	793
300	1,190
400	1,598

Analog Variant	
500	2,012
600	2,427
700	2,839
800	3,243
900	3,638
1,000	4,022
1,100	4,396
1,200	4,759
1,250	5,000



CAN Variant	
<b>CAN Message</b>	
CAN ID 0x3F0 (default)	
Byte	Value
0	Thermocouple Temperature
1	
2	Ambient Temperature
3	
<b>CAN Signals</b>	
Length	16 Bit
Byte order	Motorola (Big Endian)
Bit mask	Signed
Factor	0.1°C/Bit
Offset	0.0
<b>CAN Parameter</b>	
CAN speed	1 Mbaud/s or 500 kbaud/s (default 1 Mbaud)
CAN frequency	100 Hz Thermocouple Temp. 1 Hz Ambient Temp.

CAN Variant	
Phys. unit	Degrees Celsius (default) or Degrees Fahrenheit
CAN Frame ID	0x1 to 0x7F0 (default 0x3F0)
Please specify the requested CAN parameters with your order in the calibration sheet.	

Connectors and Wires	
Sleeve	DR-25
Wire size	AWG 24
Wire length L	15 to 75 cm

Analog Variant	
Connector	ASU 6-03-03PB-HE
Mating connector ASU 0-03-03SB-HE	F 02U 000 195-01
Pin 1	Power supply 5 to 16 V
Pin 2	Gnd
Pin 3	Signal 0 to 5 V

CAN Variant	
Connector	ASU 6-03-05PB-HE
Mating connector ASU 0-03-05SB-HE	F 02U 000 207-01
Pin 1	U <sub>s</sub>
Pin 2	Gnd
Pin 3	CAN High
Pin 4	CAN Low
Pin 5	Not connected

### Installation Notes

The TCP KN2 can be connected to Bosch Motorsport ECUs with a 0 to 5 V analog signal input (w/o pull-up resistor) or to external data logging devices.

The sensor can be mounted individually according to the customer's request.

Please note that the operating temperature range of the external electronics is from 0 to 125°C.

Recommended bending radius of the wire of the sensor element is minimum 20 mm to ensure the sensor works properly and for a longer life-span of the sensor.

Any mounting orientation is possible.

Please find further application hints in the offer drawing and free download of the sensor configuration file (\*.sdf) for Bosch Data Logging System at our homepage.

**Safety Note**

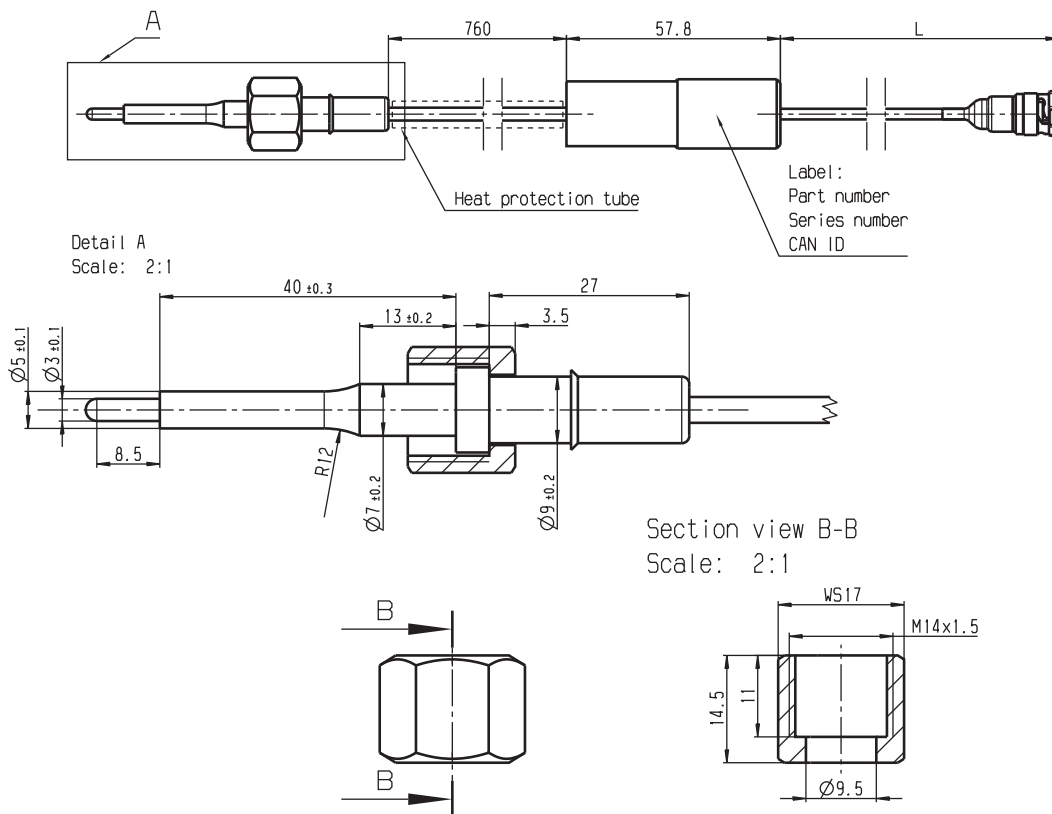
The sensor is not intended to be used for safety related applications without appropriate measures for signal validation in the application system.

**Ordering Information**

**Thermocouple Probe TCP KN 2**  
Analog Variant  
Order number **F 02U V01 863-01**

**Thermocouple Probe TCP KN 2**  
CAN Variant  
Order number **F 02U V02 425-01**

**Dimensions**



CAN Variant (Analog Variant: see website)

**Represented by:**

**Europe:**  
Bosch Engineering GmbH  
Motorsport  
Robert-Bosch-Allee 1  
74232 Abstatt  
Germany  
Tel.: +49 7062 911 9101  
Fax: +49 7062 911 79104  
motorsport@bosch.com  
www.bosch-motorsport.de

**North America:**  
Bosch Engineering North America  
Motorsport  
38000 Hills Tech Drive  
Farmington Hills, MI 48331-3417  
United States of America  
Tel.: +1 248 876 2977  
Fax: +1 248 876 7373  
motorsport@bosch.com  
www.bosch-motorsport.com

**Latin America:**  
Robert Bosch Ltda  
Motorsport  
Av Juscelino Kubitschek de  
Oliveira 11800  
Zip code 81460-900  
Curitiba - Parana  
Brasil  
Tel.: +55 41 3341 2057  
Fax: +55 41 3341 2779

**Asia-Pacific:**  
Bosch Engineering Japan K.K.  
Motorsport  
18F Queen's Tower C, 2-3-5 Minato Mirai  
Nishi-ku, Yokohama-shi  
Kanagawa 220-6218  
Japan  
Tel.: +81 45 650 5610  
Fax: +81 45 650 5611  
www.bosch-motorsport.jp

**Australia, New Zealand and South Africa:**  
Robert Bosch Pty. Ltd  
Motorsport  
1555 Centre Road  
Clayton, Victoria, 3168  
Australia  
Tel.: +61 (3) 9541 3901  
motor.sport@au.bosch.com