

Thermocouple Probe TCP KA

www.bosch-motorsport.com



BOSCH
Invented for life



- ▶ Thermocouple Type K
- ▶ Thermo material: NiCr-Ni
- ▶ Measurement range: 0 to 1,250°C
- ▶ Analog output (0 to 5 V) or CAN

This sensor is designed to measure exhaust gas temperatures up to 1,250°C.

Thermocouples are temperature sensors that supply a temperature corresponding voltage without any additional external energy source. The thermocouple has a metal mantle that includes two isolated inner wires made of thermo material NiCr-Ni Type K. The voltage is amplified by an electronic circuit powered by 12 V.

Please note that the operating temperature of the external electronics is from 0 to 120°C.

The benefits of this sensor are the combination of high quality production part, robust design and its integrated amplifier.

Application

Application	0 to 1,250°C
Operating temp. range (ext. electronics)	0 to 120°C

Technical Specifications

Mechanical Data

Male thread	M12x1
Wrench size	17 mm

Installation torque	15 Nm
Weight with wire	85 g

Electrical Data

Voltage supply	12 V
----------------	------

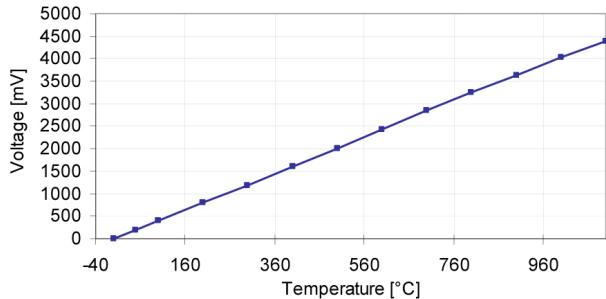
Analog Variant

Full scale output	0 to 5 V
-------------------	----------

T [°C]	U [mV]
0	0
50	197
100	399
200	793
300	1,190
400	1,598
500	2,012
600	2,427
700	2,839

Analog Variant

800	3,243
900	3,638
1,000	4,022
1,100	4,396
1,200	4,759
1,250	5,000



CAN Variant

CAN Message

CAN ID 0x3F0 (default)

Byte	Value
0	Thermocouple Temperature
1	
2	Ambient Temperature
3	

CAN Signals

Length	16 Bit
Byte order	Motorola (Big Endian)
Bit mask	Signed
Factor	0.1°C/Bit
Offset	0.0

CAN Parameter

CAN speed	1 Mbaud/s or 500 kbaud/s (default 1 Mbaud)
CAN frequency	100 Hz Thermocouple Temp. 1 Hz Ambient Temp.
Phys. unit	Degrees Celsius (default) or Degrees Fahrenheit

CAN Variant

CAN Frame ID 0x1 to 0x7F0 (default 0x3F0)

Please specify the requested CAN parameters with your order in the calibration sheet.

Connectors and Wires

Sleeve	DR-25
Wire size	AWG 24
Wire length L	15 to 75 cm

Analog Variant

Connector	F 02U B00 292-01
Mating connector	D 261 205 357-01
Pin 1	Sig
Pin 2	Gnd
Pin 3	U _s

CAN Variant

Connector	ASU 6-03-05PB-HE
Mating connector	F 02U 000 207-01 ASU 0-03-05SB-HE
Pin 1	U _s
Pin 2	Gnd
Pin 3	CAN High
Pin 4	CAN Low

Installation Notes

The sensor can be mounted individually according to the customer's request.

Please note that the operating temperature range of the external electronics is from 0 to 120°C.

Recommended bending radius of the wire of the sensor element is minimum 20 mm to ensure the sensor works properly and for a longer life-span of the sensor.

Any mounting orientation is possible.

Please find further application hints in the offer drawing and free download of the sensor configuration file (*.sdf) for Bosch Data Logging System at our homepage.

Safety Note

The sensor is not intended to be used for safety related applications without appropriate measures for signal validation in the application system.

Ordering Information

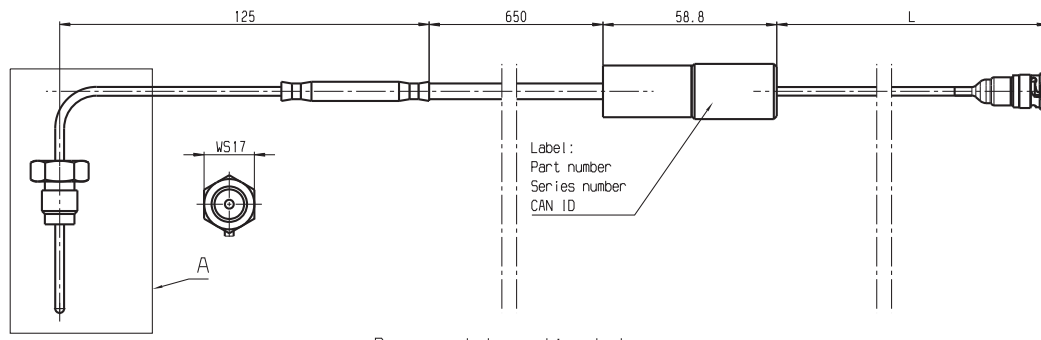
Thermocouple Probe TCP KA
 Analog Variant
 Order number **F 02U V01 664-01**

Thermocouple Probe TCP KA
 CAN Variant
 Order number **F 02U V02 422-01**

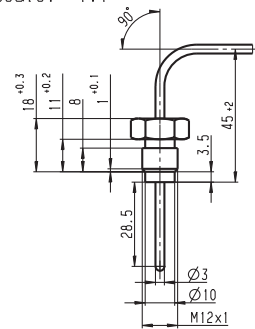
Accessories

Thermocouple Probe TCP KA Adapter
 Order number **F 02U V01 185-01**

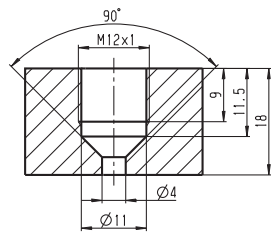
Dimensions



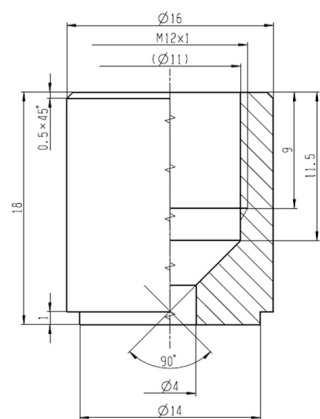
Detail A
 Scale: 1:1



Recommended mounting hole



CAN Variant (Analog Variant: see website)



Adapter

Represented by:

Europe:

Bosch Engineering GmbH
Motorsport
Robert-Bosch-Allee 1
74232 Abstatt
Germany
Tel.: +49 7062 911 9101
Fax: +49 7062 911 79104
motorsport@bosch.com
www.bosch-motorsport.de

North America:

Bosch Engineering North America
Motorsport
38000 Hills Tech Drive
Farmington Hills, MI 48331-3417
United States of America
Tel.: +1 248 876 2977
Fax: +1 248 876 7373
motorsport@bosch.com
www.bosch-motorsport.com

Latin America:

Robert Bosch Ltda
Motorsport
Av Juscelino Kubitscheck de
Oliveira 11800
Zip code 81460-900
Curitiba - Parana
Brasilia
Tel.: +55 41 3341 2057
Fax: +55 41 3341 2779

Asia-Pacific:

Bosch Engineering Japan K.K.
Motorsport
18F Queen's Tower C, 2-3-5 Minato Mirai
Nishi-ku, Yokohama-shi
Kanagawa 220-6218
Japan
Tel.: +81 45 650 5610
Fax: +81 45 650 5611
www.bosch-motorsport.jp

Australia, New Zealand and South Africa:

Robert Bosch Pty. Ltd
Motorsport
1555 Centre Road
Clayton, Victoria, 3168
Australia
Tel.: +61 (3) 9541 3901
motor.sport@au.bosch.com