

# FPR Adaptor light

www.bosch-motorsport.com



- ▶ Aluminum housing
- ▶ Fits to production type regulators and Motorsport regulators (FPR Mini 2, Mini 5, Mini A)
- ▶ Very light weight

This adaptor offers the opportunity to convert a rail pressure regulator into an inline pressure regulator. The adaptor is able to hold a production type regulator as well as a motorsport regulator. Delivery without regulator.

## Application

Fuel compatibility	Gasoline, E85/M100
Operating temperature range	-40 to 120°C
Storage temperature range	-40 to 100°C
Max. vibration	<600 m/s <sup>2</sup> at 5 to 250 Hz

## Technical Specifications

### Mechanical Data

Diameter	50 mm
Height	55 mm

Weight	92 g
Mounting	Screw fastening with M6 screws into housing or M5 screws through housing

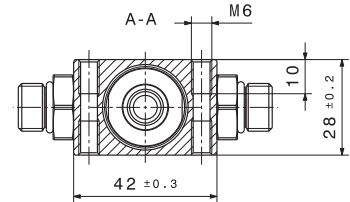
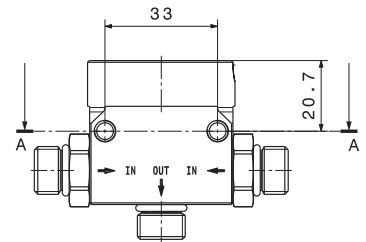
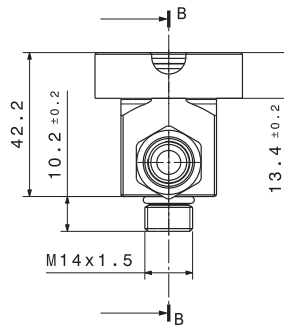
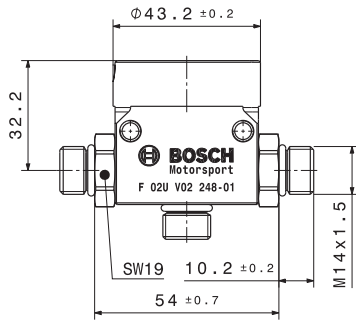
## Connectors and Wires

Connector supply	2 x M14 x 1.5
Connector reflow	M14 x 1.5

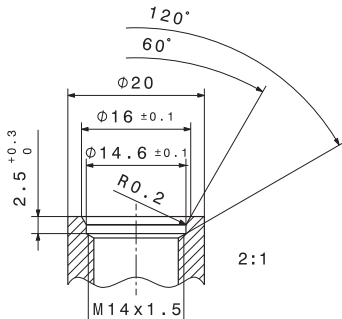
## Ordering Information

**FPR Adaptor light**  
Order number **F 02U V02 248-01**

Dimensions



**SUPPLY SUGGESTION**  
**FITTING OUTSIDE CONTOUR**  
**Anschlussempfehlung**  
**Fitting-Aussenkontur**



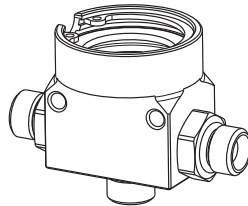
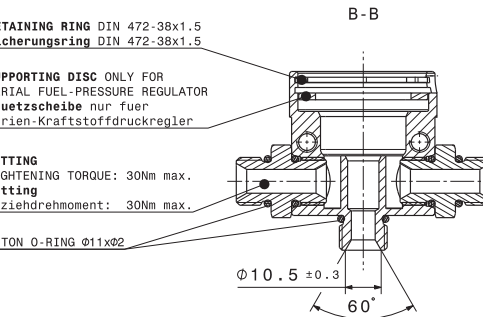
TIGHTENING TORQUE: 30Nm max.  
 Anziehdrehmoment: 30Nm max.

RETAINING RING DIN 472-38x1.5  
 Sicherungsring DIN 472-38x1.5

SUPPORTING DISC ONLY FOR  
 SERIAL FUEL-PRESSURE REGULATOR  
 Stuetzscheibe nur fuer  
 Serien-Kraftstoffdruckregler

FITTING  
 TIGHTENING TORQUE: 30Nm max.  
 Fitting  
 Anziehdrehmoment: 30Nm max.

VITON O-RING Ø11xØ2



Represented by:

**Europe:**  
 Bosch Engineering GmbH  
 Motorsport  
 Robert-Bosch-Allee 1  
 74232 Abstatt  
 Germany  
 Tel.: +49 7062 911 9101  
 Fax: +49 7062 911 79104  
 motorsport@bosch.com  
 www.bosch-motorsport.de

**North America:**  
 Bosch Engineering North America  
 Motorsport  
 38000 Hills Tech Drive  
 Farmington Hills, MI 48331-3417  
 United States of America  
 Tel.: +1 248 876 2977  
 Fax: +1 248 876 7373  
 motorsport@bosch.com  
 www.bosch-motorsport.com

**Latin America:**  
 Robert Bosch Ltda  
 Motorsport  
 Av Juscelino Kubitscheck de  
 Oliveira 11800  
 Zip code 81460-900  
 Curitiba - Parana  
 Brasilia  
 Tel.: +55 41 3341 2057  
 Fax: +55 41 3341 2779

**Asia-Pacific:**  
 Bosch Engineering Japan K.K.  
 Motorsport  
 18F Queen's Tower C, 2-3-5 Minato Mirai  
 Nishi-ku, Yokohama-shi  
 Kanagawa 220-6218  
 Japan  
 Tel.: +81 45 650 5610  
 Fax: +81 45 650 5611  
 www.bosch-motorsport.jp

**Australia, New Zealand and South Africa:**  
 Robert Bosch Pty. Ltd  
 Motorsport  
 1555 Centre Road  
 Clayton, Victoria, 3168  
 Australia  
 Tel.: +61 (3) 9541 3901  
 motor.sport@au.bosch.com